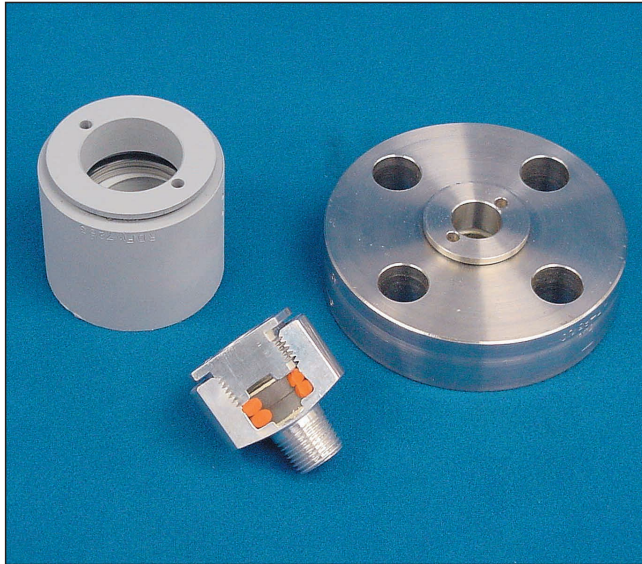




## Bull's-Eye

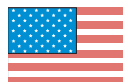
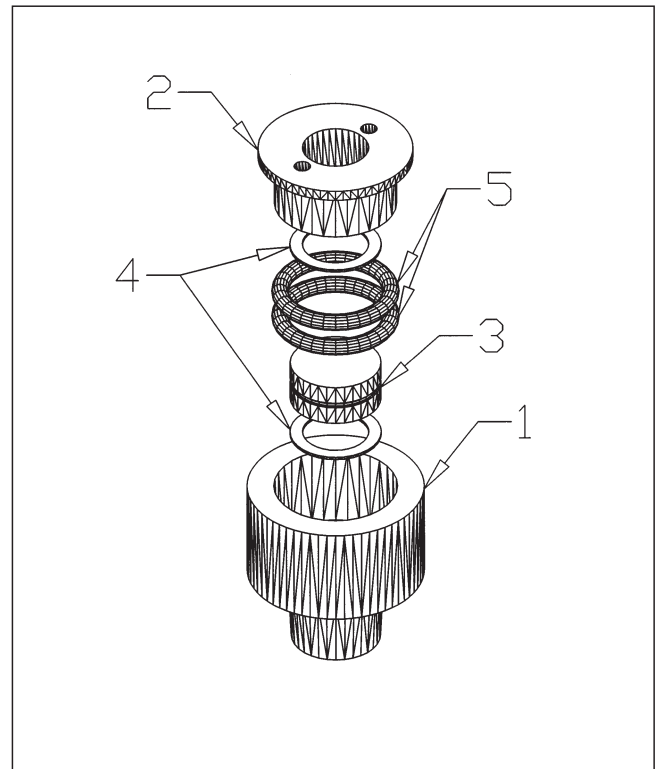


### Description:

The Bull's Eye is designed to satisfy the need for a threaded connection. The Bull's Eye unit is available for 1/8" to 2" MNPT pipe thread connections, and can be manufactured to meet your pressure and temperature requirements. Different materials of construction are available to meet your process needs. This unit can be utilized with other types of connections including NPT plug, weld, socket-weld, flange, sanitary, or as specified.

### Materials of Construction:

- 1. Body:** 316 Stainless Steel; Carbon Steel; Hastelloy; Alloy 20; Titanium; Aluminum; etc.
- 2. Retainer Cap:** 316 Stainless Steel; Carbon Steel
- 3. Lens:** Two-Piece Laminated Tempered Soda Lime (Standard); Tempered or Annealed Borosilicate; Quartz; Lexan; Acrylic; Mica Shields
- 4. Lens Cushion Gaskets:** Teflon<sup>®</sup>; Grafoil<sup>®</sup>; Gylon<sup>®</sup>; Blue-Gard<sup>®</sup>; etc.
- 5. O-Rings or Packing:** Teflon<sup>®</sup>; Viton<sup>®</sup>; Silicone; Buna-N; Die-Formed Graphite; etc.



MADE IN THE USA

