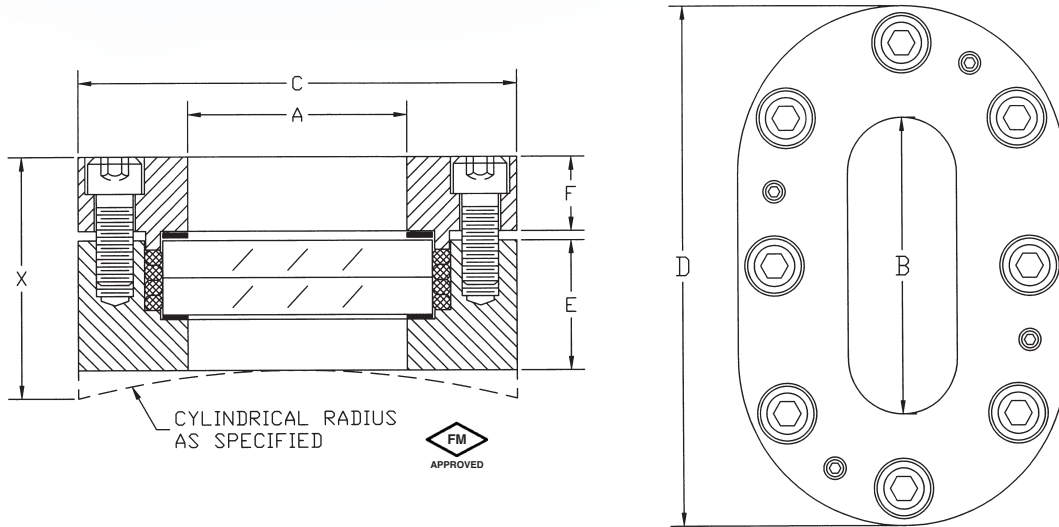


# Oblong Sight Glass

## Engineering Information:



Size	Viewing Width A	Viewing Length B	Overall Width C	Overall Length D	E	F
1" x 8"	1"	8"	4"	11"	1 1/2"	1"
2" x 12"	2"	12"	5"	15"	1 1/2"	1"
2" x 18"	2"	18"	5"	21"	1 1/2"	1"
3" x 12"	3"	12"	6"	15"	1 3/4"	1"
3" x 18"	3"	18"	6"	21"	1 3/4"	1"
4" x 24"	4"	24"	7"	27"	2"	1"

- *Welding pad dimensions may have to be increased to meet ASME requirements. It is the vessel designer's responsibility to determine reinforcement, corrosion allowance, etc. for the particular application.*
- *This unit can be supplied with a cylindrical radius to match the vessel. The "E" dimension will vary depending on the vessel radius.*